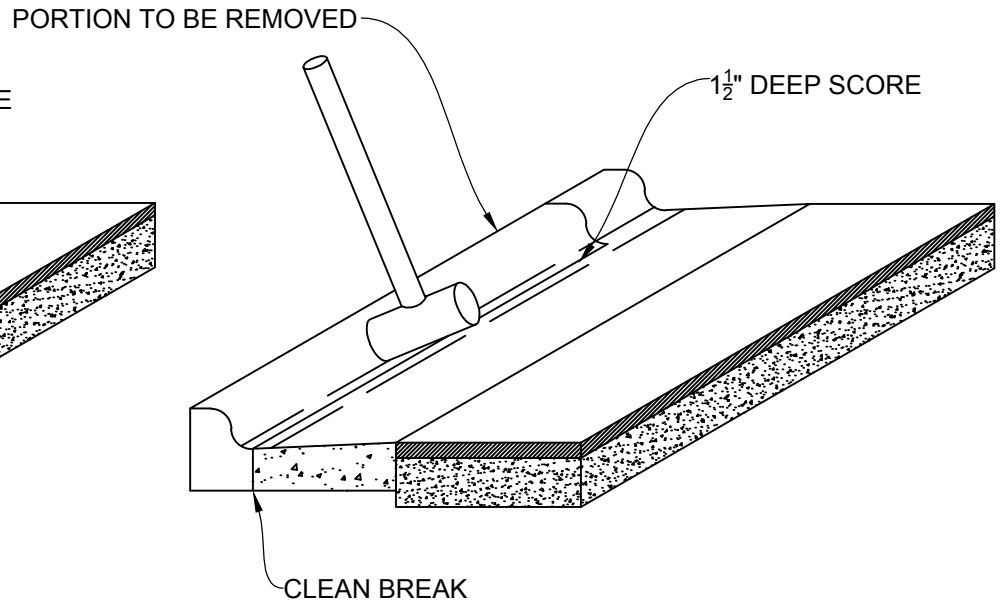


STEP ONE



STEP TWO

NOTES:

1. IF PERPENDICULAR CURB CUT IS WITHIN 5' FROM A JOINT, THEN THE PARALLEL CUT SHALL BE MADE TO THAT JOINT.
2. FOR REPAIRS TO CURB, A 5' MINIMUM SECTION MUST BE REMOVED AND REPLACED (JOINT TO JOINT.)